

PZM11 LL WR

PRESSURE ZONE MICROPHONE®

The PZM11 LL WR is a weather-resistant Pressure Zone Microphone® with a balanced, line-level output. A plastic membrane inside the microphone protects the mic capsule from water damage. The mic mounts in a standard electrical outlet box. Applications include fast-food restaurants, outdoor intercoms, toll booths, bridges, theme park security, home automation, and so on.

The microphone can be plugged directly into a VCR line input - no costly mic preamp is needed. Output (via screw terminals) can be balanced or unbalanced. Powering is by 12-24V AC or DC. The unit can be factory-set for phantom powering by special order.

In the PZM11 LLWR, frequencies below the voice range are rolled off to reduce traffic rumble. The high-frequency response is boosted to help articulation. Because of its tailored response and PZM construction, the PZM11 LLWR will pick up conversations or other desired sounds with extra clarity.

The unit is "weather resistant," which means:

- The microphone will work during and after rainfall.
- The mic's frequency response will change temporarily if the membrane gets wet, but will return to normal when dry.
- If water freezes on the membrane, the mic's frequency response will change, but will return to normal when the ice melts and the membrane dries.
- High-pressure water sprays directly on the membrane (through the louvered wall plate) may damage the membrane.
- The microphone is not designed to be submerged.

Installation

1. Please refer to Figure 3 and locate all the parts shown. The electrical outlet box and cables are not included.
2. Run a 2-conductor shielded cable to the surface where you intend to install the microphone. Install a standard electrical outlet box there (2-inch minimum depth).
3. The PZM11 LLWR can be powered by 12-24V AC or DC.

From your power source, run a twisted pair power cable to the mic location. Run the power cable through the hole in the electrical box. Service the end of the power cable.



Fig. 1

Frequency Response

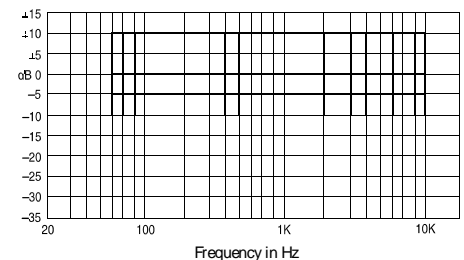
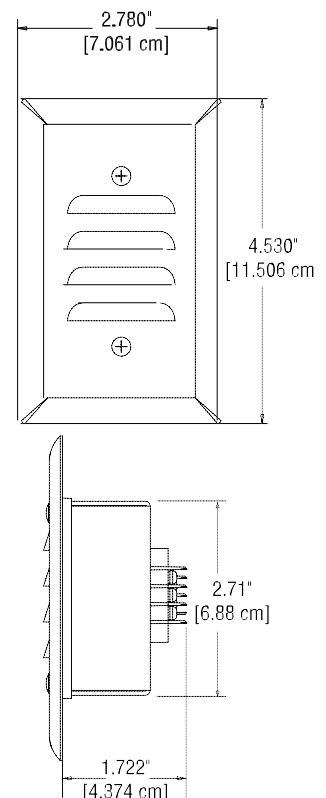


Fig. 2



Specifications

Transducer type: Electret condenser.

Frequency response (typical): 80 Hz to 10,000 Hz (see Fig. 1).

Polar pattern: Hemispherical.

Impedance: 75 ohms, balanced. Recommended minimum load impedance 1000 ohms.

Open-circuit sensitivity, typical: 1.4 V/Pa.

Power sensitivity, typical: +8 dBm/Pa.

Equivalent noise level (self-noise): 26 dB SPL typical (0 dB = .0002 dyne/cm²), A-weighted.

S/N Ratio: 68 dB at 94 dB SPL.

Maximum SPL: 100 dB SPL produces 3% THD at maximum gain.

Operating voltage: 12-24V AC or DC, Phantom powering by special order.

Polarity: Positive pressure on diaphragm produces positive voltage on audio+ terminal with respect to audio- terminal

Current drain: 4 milliamperes.

Operating temperature range: -10 to +60 deg. C, 14 to 140 deg. F. The mic still works at -40 deg. C but its sensitivity is reduced. When the mic is returned to normal operating temperature, its sensitivity will be within +/-3 dB of normal.

Output connector: Screw terminals labeled AUDIO+, AUDIO- and GROUND.

Cable: None supplied. Use 2-conductor shielded mic cable and twisted-pair power cable.

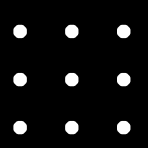
Materials: Steel plate and high-impact plastic capsule holder. Plastic membrane, part no. 127255-1.

Finish: Silver. If you paint the mic, take care not to paint inside the louvered wall plate.

Net weight: 2.5 oz. (71 g).

Dimensions: 4.530 x 2.780 x 1.722 inches (LWD) (see Fig. 2).

* 1 pascal = 10 dynes/cm² = 10 microbars = 94 dB SPL.



PZM11 LL WR

4. Run the mic cable through the hole in the electrical box. Service the end of the mic cable.
5. Connect the mic cable's audio hot lead to the terminal labeled AUDIO+. Connect the audio cold lead to the terminal labeled AUDIO-. Connect the cable shield to the terminal labeled GROUND.
6. Attach the power leads to the screw terminals marked "~". You can use 12-24 V AC or DC. Polarity does not matter in either case.
7. Using the two shorter screws provided, attach the mic to the electrical box. Then use the other two screws to secure the louvered wall plate to the microphone. Do not remove or damage the plastic membrane.
8. If the mic cable is run in metal conduit, ground loops can occur that can cause hum. If hum is

present after installation, return the unit to AKG/Crown's service dept. for ground-lift modification.

Architects' and Engineers' Specifications

The microphone shall be the AKG/Crown model PZM11 LLWR or equivalent. It shall be a Pressure Zone Microphone, mountable in a wall or ceiling, and designed not to look like a microphone. It shall have a line-level output (1.4 V/Pa unloaded) and be powered by 12-24 V AC or DC, or phantom power. The frequency response shall be from 80 Hz to 10,000 Hz with a low-frequency rolloff to reduce rumble and high-frequency boost for articulation. The audio connector and power connector shall be screw terminals. Output shall be balanced, low impedance. The electret condenser transducer shall have a hemi-spherical polar pattern when the microphone is mounted in a wall or ceiling. The AKG/Crown PZM11 LLWR microphone is specified.

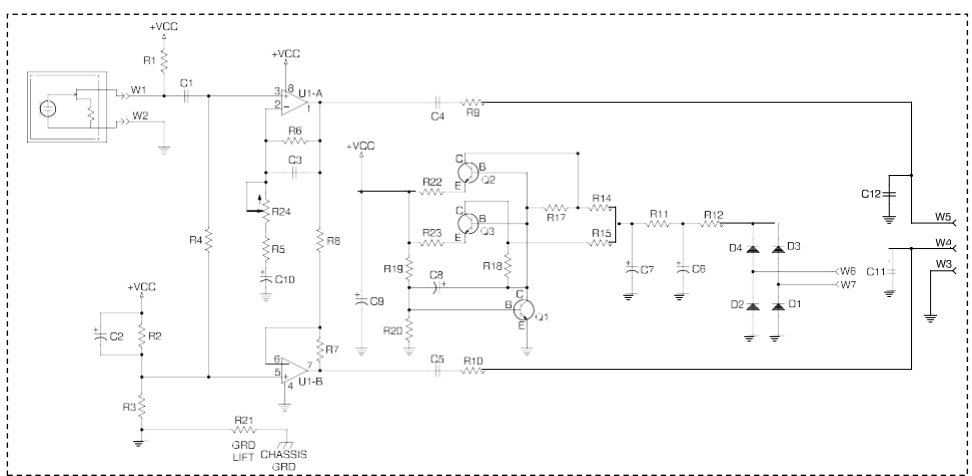
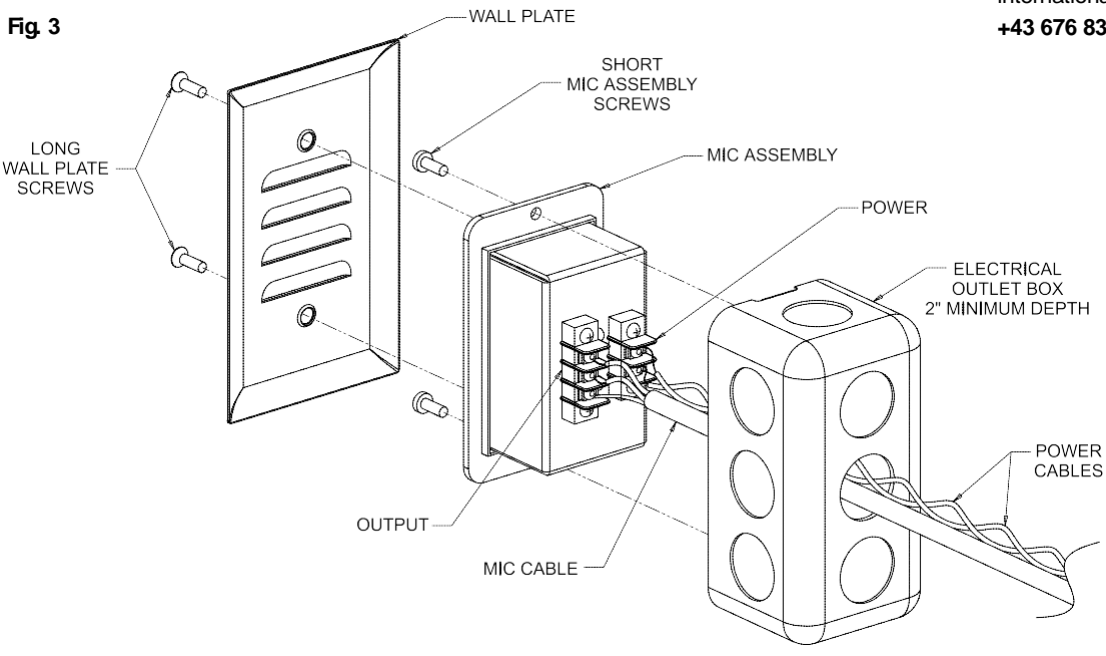
Warranty

AKG/Crown professional microphones are guaranteed unconditionally against malfunction from any cause for a period of three years from date of original purchase. Please refer to the enclosed full warranty statement for more detail.

Service

If the unit fails to work, recheck all your connections as described in the Installation Section. Check the cables and gain resistor. Also check the power supply to verify that it is supplying correct voltage. If you determine that the microphone product is defective, return the complete product in its original packaging to one of the addresses below. For further assistance or technical support call the international helpdesk at

+43 676 83200 888.



AKG ACOUSTICS GMBH
LAXENBURGERSTRASSE 254
1230 VIENNA
AUSTRIA

AKG ACOUSTICS, U.S. SERVICE
24950 GROVE VIEW ROAD
MORENO VALLEY, CA 92551
U.S.A.

© 2015 HARMAN International Industries, Incorporated. All rights reserved. AKG is a trademark of AKG Acoustics GmbH, registered in the United States and/or other countries. Features, specifications and appearance are subject to change without notice.

www.agg.com